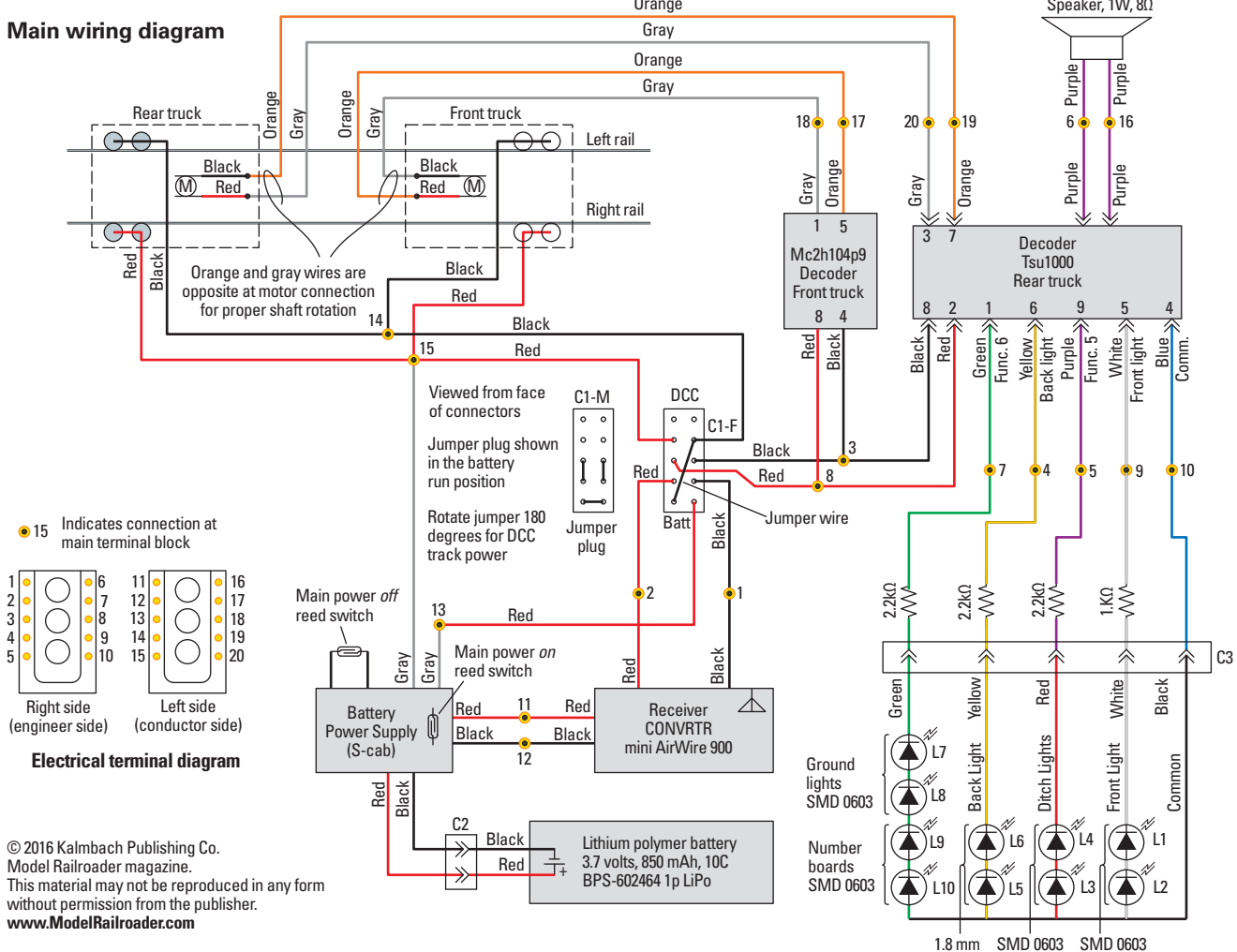
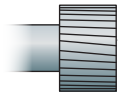


# Main wiring diagram



# Window installation

**Step 1**



Milling cutter



Milling cutter cuts pocket around inside of window opening

**Step 2**

Microscale No. MI-8 adhesive



Microscope slide cover glass

