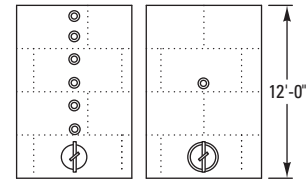
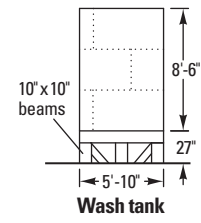
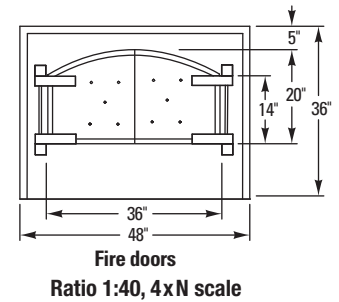
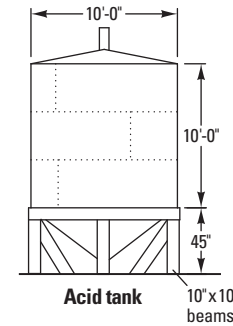
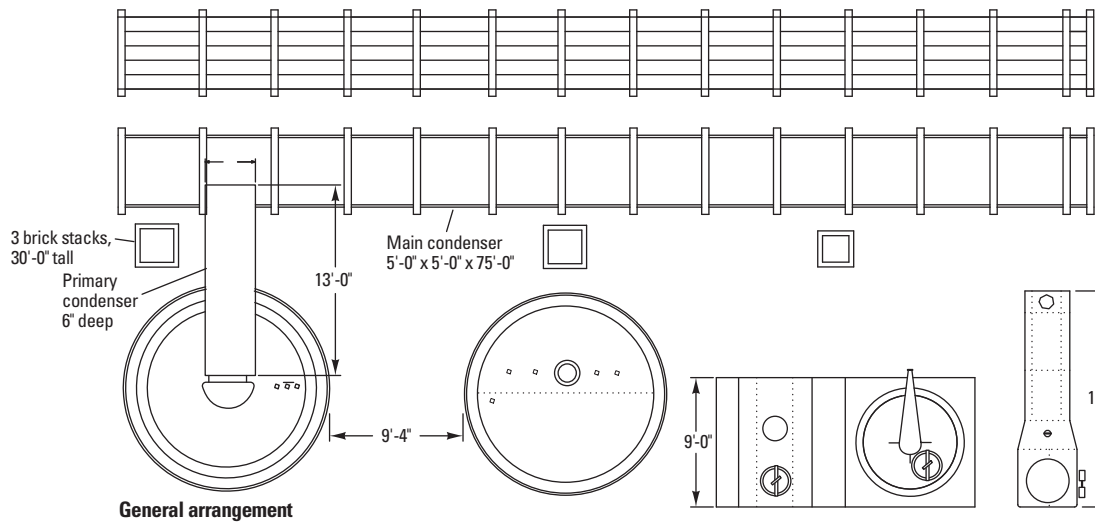


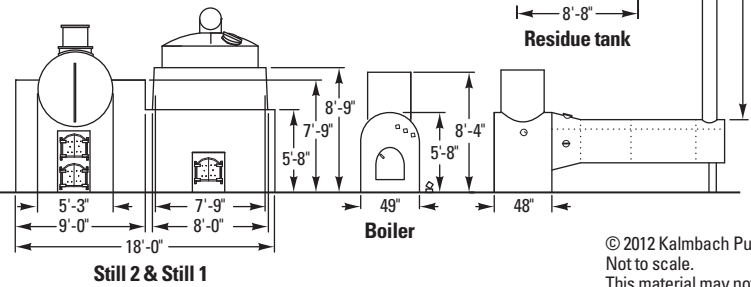
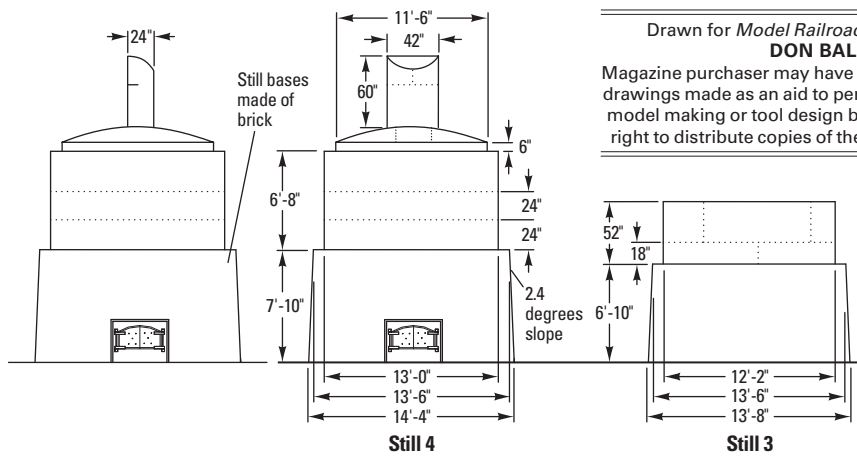
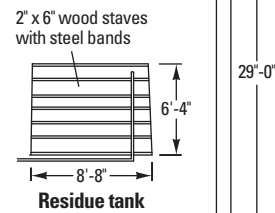
Drawn for *Model Railroader* magazine by
DON BALL
 Magazine purchaser may have photocopies of these drawings made as an aid to personal or commercial model making or tool design but does not have the right to distribute copies of the drawings to others.

© 2012 Kalmbach Publishing Co., *Model Railroader* magazine.
 Not to scale.
 This material may not be reproduced in any form without permission from the publisher.
www.ModelRailroader.com



Drawn for *Model Railroader* magazine by
DON BALL
Magazine purchaser may have photocopies of these drawings made as an aid to personal or commercial model making or tool design but does not have the right to distribute copies of the drawings to others.

Ratio 1:160, N scale
TO CONVERT N SCALE DRAWINGS TO YOUR SCALE COPY AT THESE PERCENTAGES:
HO 183.7 percent
S 250 percent
O 333.3 percent



© 2012 Kalmbach Publishing Co., *Model Railroader* magazine.
Not to scale.
This material may not be reproduced in any form without permission from the publisher.
www.ModelRailroader.com