

Drawn for *Model Railroader* magazine by
VIC WORTHINGTON

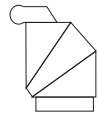
Magazine purchaser may have photocopies of these drawings made as an aid to personal model making but does not have the right to distribute copies of the drawings to others. Contact *Model Railroader* regarding commercial use of these drawings.

Ratio 1:220, Z scale

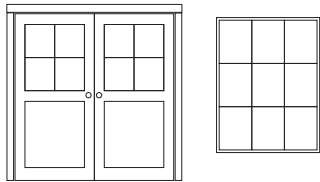
TO CONVERT Z SCALE DRAWINGS TO YOUR SCALE
 COPY AT THESE PERCENTAGES:

N 137.5 percent HO 252.6 percent S 343.8 percent O 458.3 percent

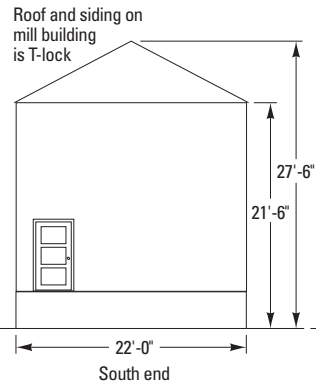
© 2015 Kalmbach Publishing Co., *Model Railroader* magazine.
 This material may not be reproduced in any form without permission from the publisher.
www.ModelRailroader.com



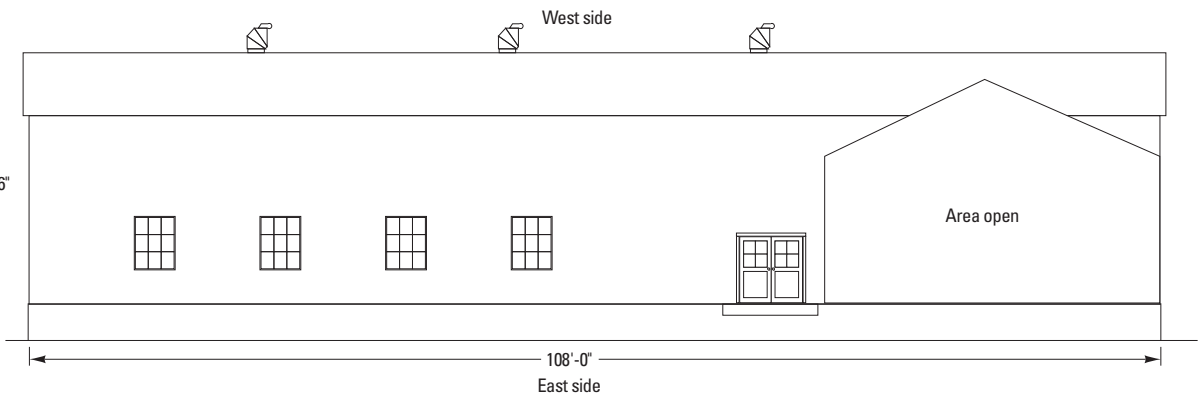
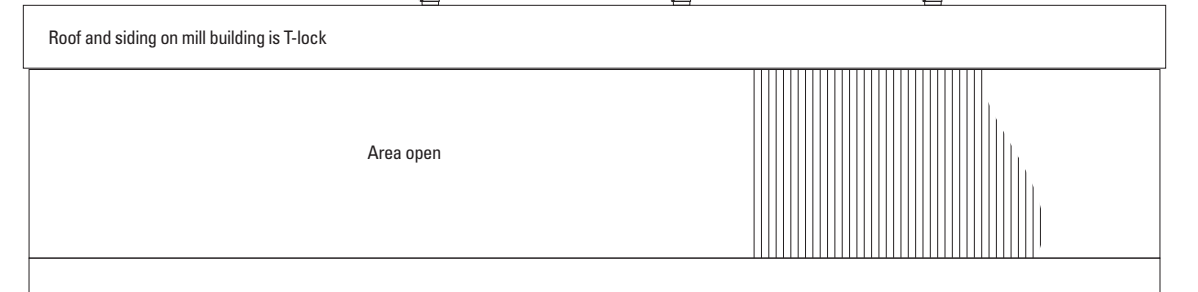
Ventilator detail, HO scale



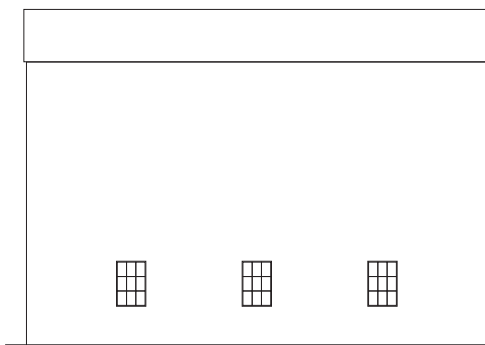
Door and window detail, HO scale



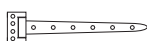
Mill building



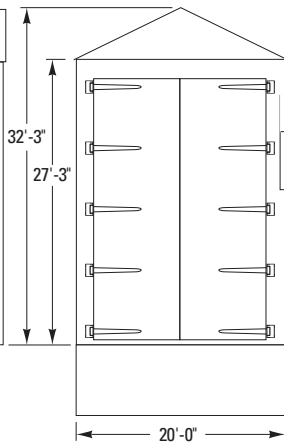
Unloading shed
North side



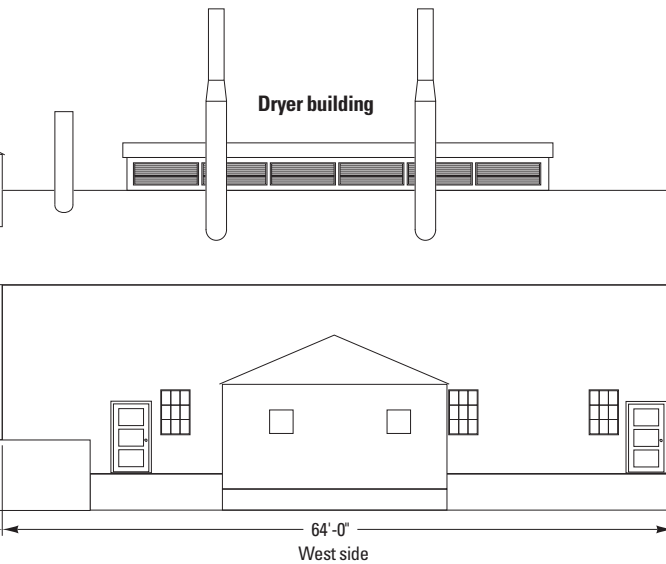
Hinge detail
 Campbell Scale Models
 No. 935 (not to scale)



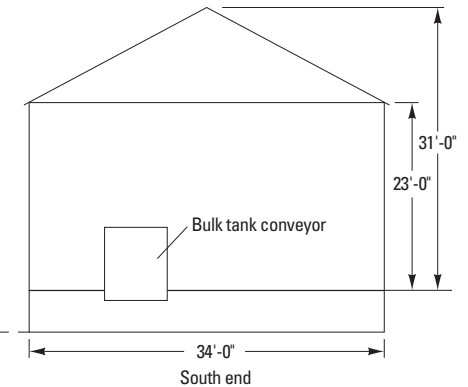
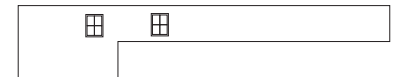
Unloading shed
Both ends the same



Dryer building



Bulk tank conveyor cover



Drawn for *Model Railroader* magazine by
VIC WORTHINGTON

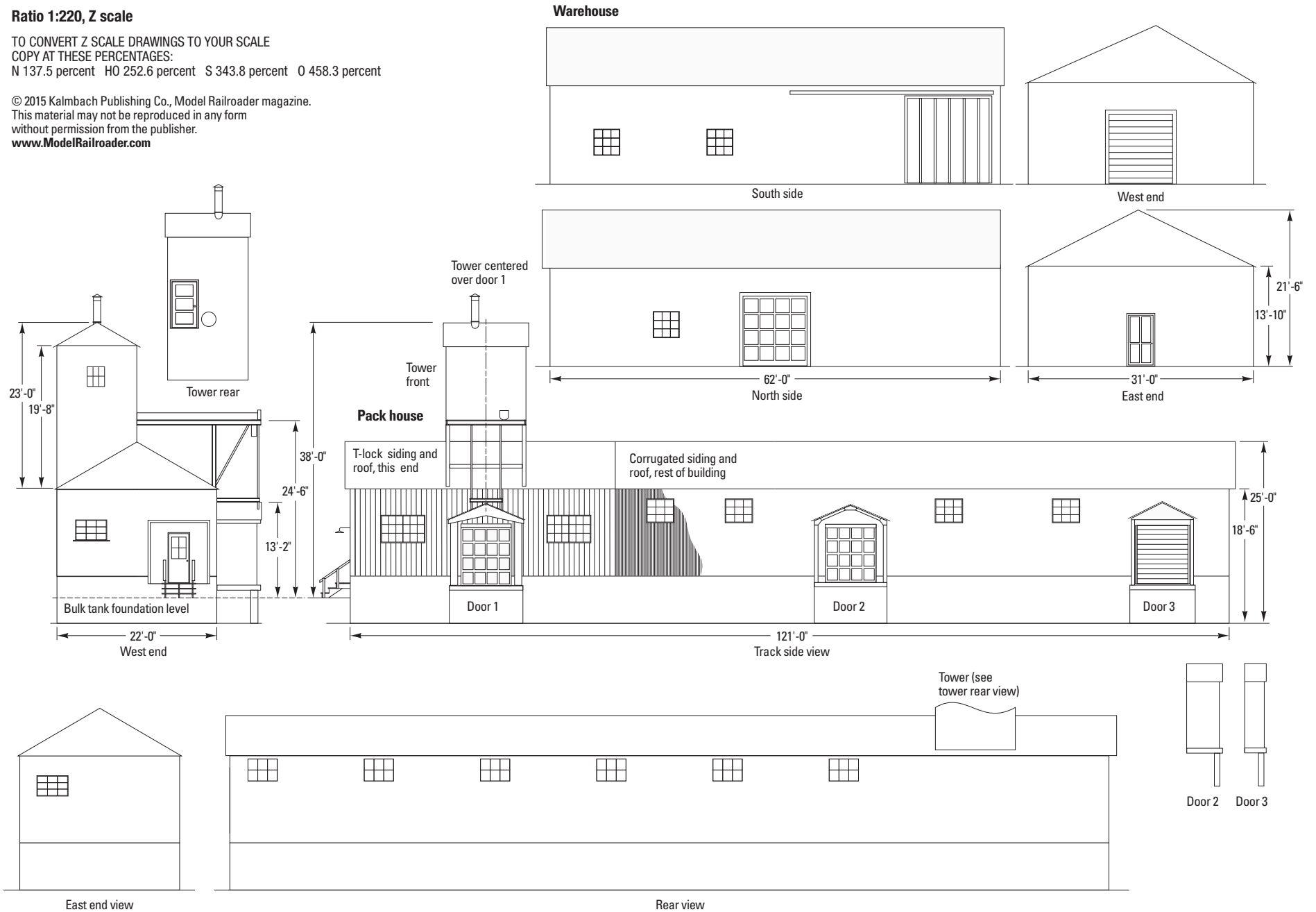
Magazine purchaser may have photocopies of these drawings made as an aid to personal model making but does not have the right to distribute copies of the drawings to others. Contact *Model Railroader* regarding commercial use of these drawings.

Ratio 1:220, Z scale

TO CONVERT Z SCALE DRAWINGS TO YOUR SCALE
 COPY AT THESE PERCENTAGES:

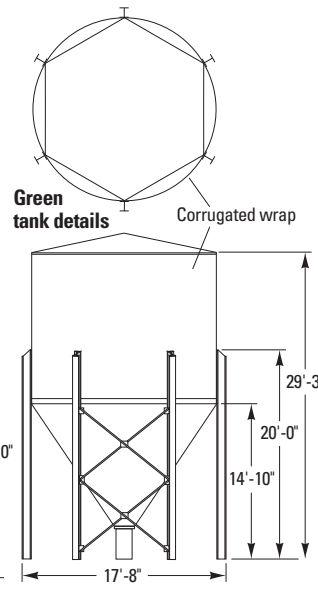
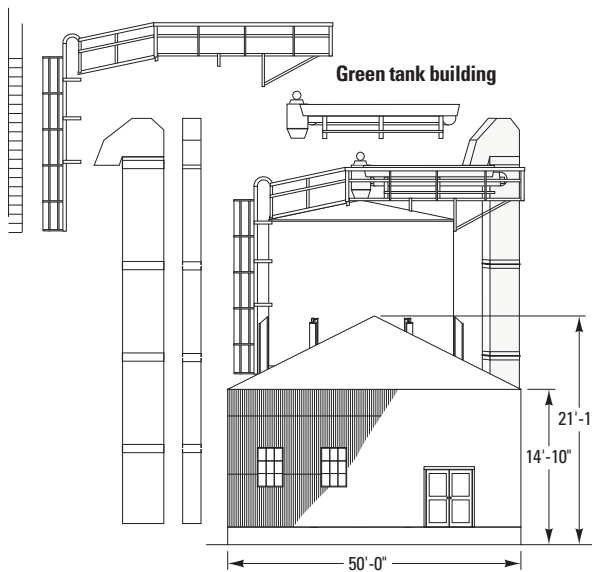
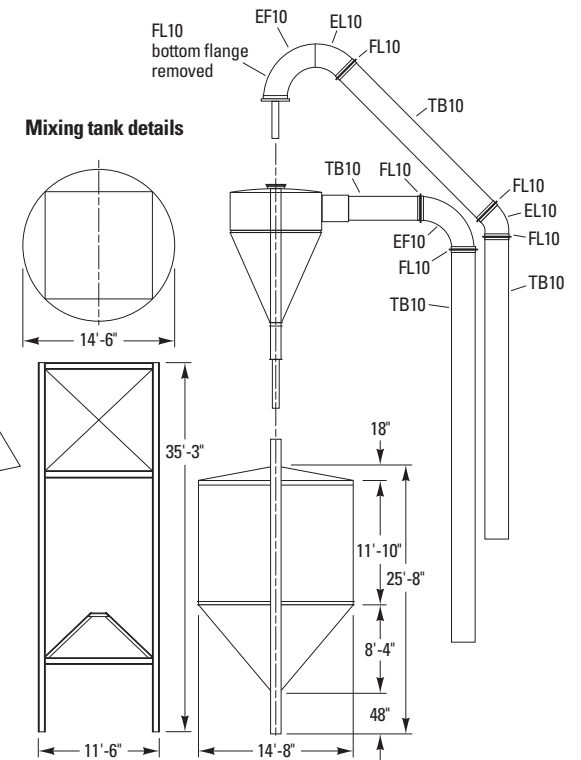
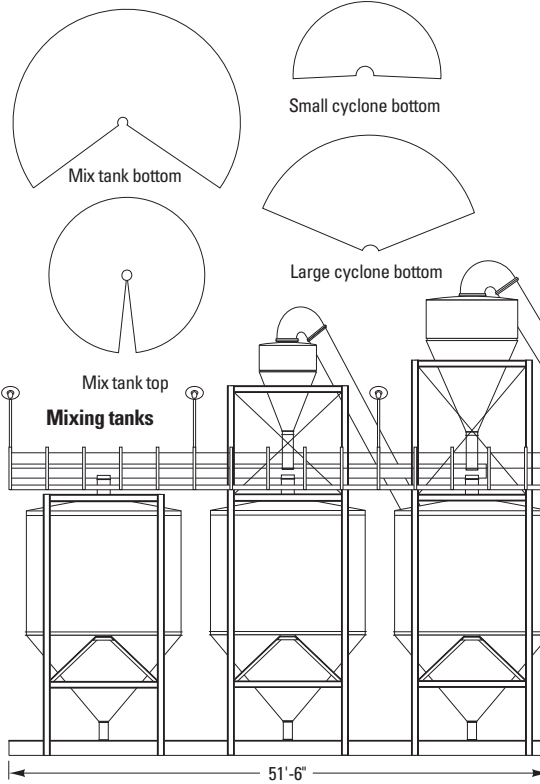
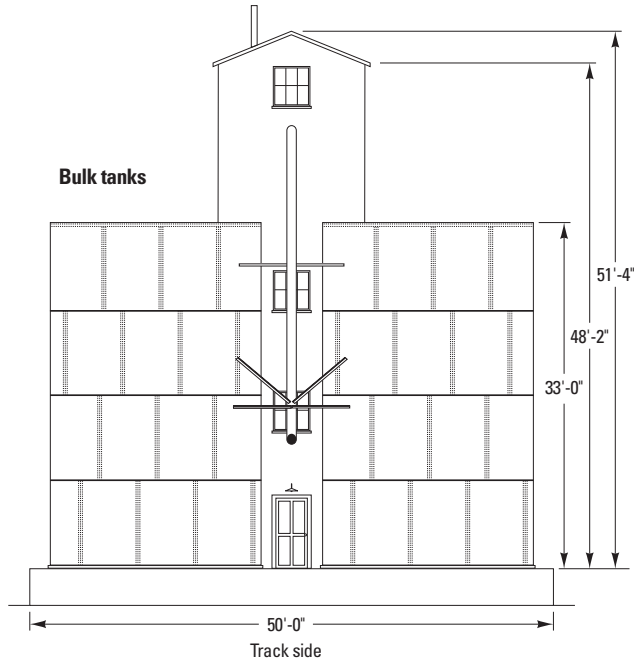
N 137.5 percent H0 252.6 percent S 343.8 percent O 458.3 percent

© 2015 Kalmbach Publishing Co., *Model Railroader* magazine.
 This material may not be reproduced in any form
 without permission from the publisher.
www.ModelRailroader.com



Drawn for *Model Railroader* magazine by
VIC WORTHINGTON

Magazine purchaser may have photocopies of these drawings made as an aid to personal model making but does not have the right to distribute copies of the drawings to others. Contact *Model Railroader* regarding commercial use of these drawings.



Ratio 1:440, 1/2 Z scale

TO CONVERT Z SCALE DRAWINGS TO YOUR SCALE COPY AT THESE PERCENTAGES:

- N 275 percent
- H0 505.2 percent
- S 687.6 percent
- O 916.6 percent

